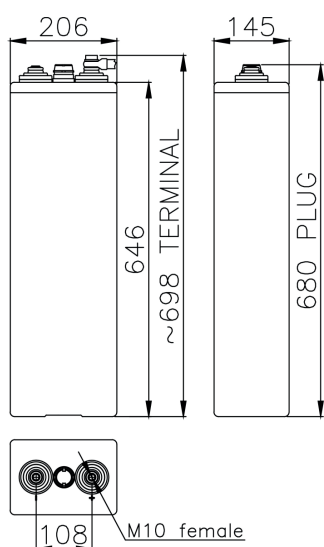


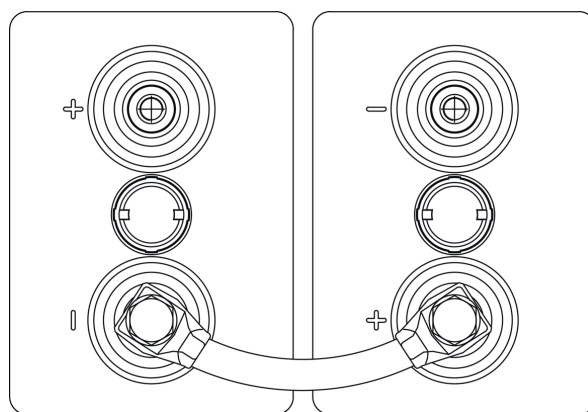
DATA

Voltage	2.00 V
Performance	860Ah C120 to 1.85V/cell at 20
Float Voltage	2.25V/cell at 20°C
Connection torque	20 - 25 Nm
Max Charge Current	144.00 A
Weight (Typical)	51.0 KG

LAYOUT



CONNECTION SET



PERFORMANCES

[A] at 25°C

V / cell	h.	1	3	5	8	10	12	20	24	48	72	100	120
1.85		237	148	105	78.5	68.9	58.9	37.3	31.6	16.6	12.5	8.51	7.31
1.88		220	139	100	75.2	65.3	55.6	35.3	29.9	15.7	11.9	8.03	6.82
1.90		209	133	96.6	73.0	62.9	53.5	34.0	28.8	15.2	11.4	7.70	6.50
1.95		148	102	78.9	59.8	51.9	44.8	29.1	24.8	13.2	9.34	5.45	2.75